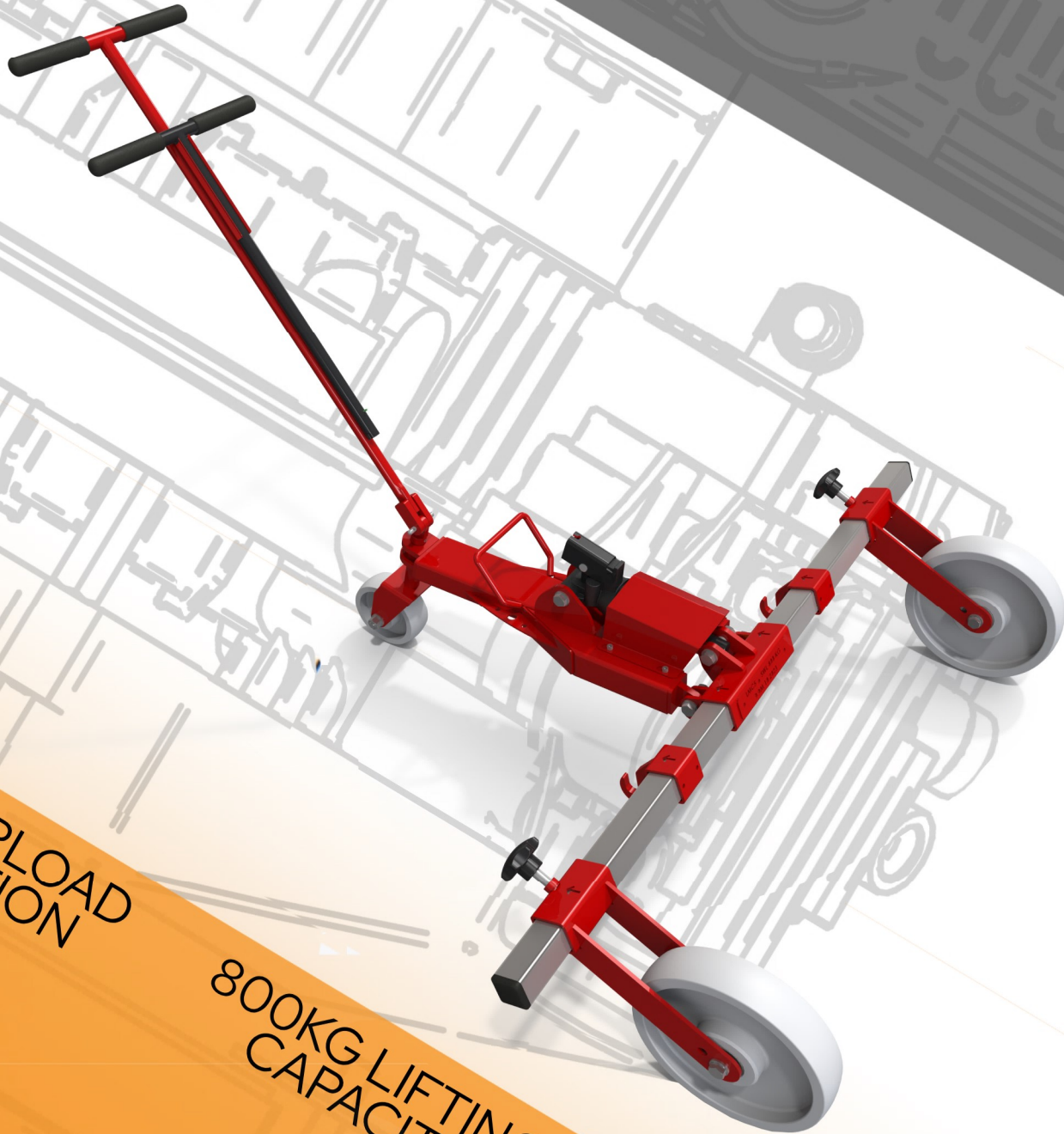


LASTMILE FIBRE



# MANHOLE LIFTER



RAM OVERLOAD  
PROTECTION

800KG LIFTING  
CAPACITY

[WWW.LASTMILEFIBRE.CO.UK](http://WWW.LASTMILEFIBRE.CO.UK)

[ENQUIRIES@LASTMILEFIBRE.CO.UK](mailto:ENQUIRIES@LASTMILEFIBRE.CO.UK)



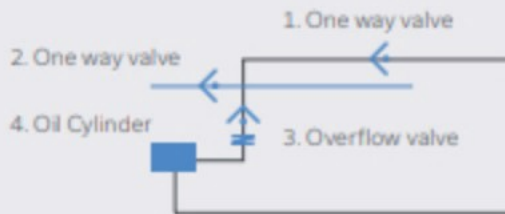
# FEATURES AND BENEFITS



The hydraulic unit features **a valve that simply recirculates the oil** when the max safe load has been reached preventing lifts of over 800kg

**Additional shaft collar added to prevent wear**

**Overflow valve = Relief valve pointed by SGS**



Rated to 2500kg

Easy Maintenance

Increased Frame Strength Omitting Frame Flex

800kg Lifting Capacity

BT Openreach Approved